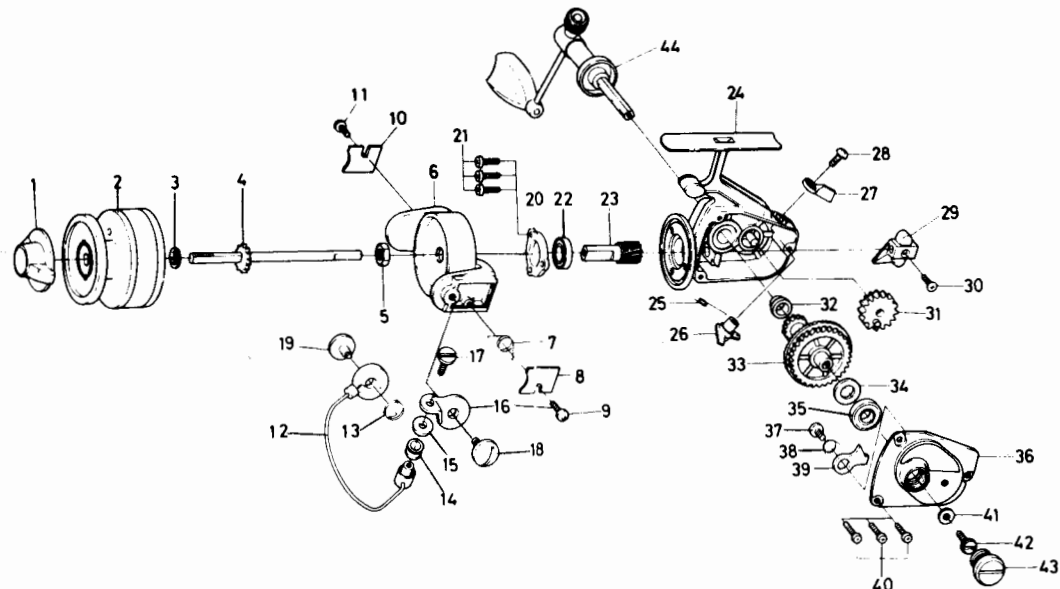




SPINNING REEL

1000c



LINE CAPACITY: 160 YDS. 6 LB. TEST (150m Dia. 0.23mm)

Key No.	Parts No.	Parts Name	Key No.	Parts No.	Parts Name
1	6-740-2302	Drag knob	23	6-402-2201	Pinion gear
2	6-733-6801	Spool assembly	24	6-700-4707	Body assembly
3	6-372-3501	Spool washer	25	6-142-2801	Anti-reverse cam spring
4	6-710-7801	Main shaft assembly	26	6-460-6821	Anti-reverse cam
5	6-341-9201	Rotor nut	27	6-541-3131	Anti-reverse lever
6	6-735-4401	Rotor	28	6-350-1931	Anti-reverse lever screw
7	6-143-9401	Arm lever spring	29	6-481-0511	Oscillating slider
8	6-040-5001	Bail spring cover	30	6-351-0311	Oscillating slider screw
9	6-351-1801	Bail spring cover screw	31	6-413-0101	Oscillating gear
10	6-040-5001	Bail spring cover	32	6-636-4101	Bearing metal A
11	6-351-1801	Bail spring cover screw	33	6-413-0201	Drive gear
12	6-725-4711	Bail assembly	34	6-370-5150	Drive gear washer
13	6-143-9501	Bail spring	35	6-636-4401	Bearing metal B
14	6-250-3901	Line roller	36	6-705-7705	Body cover assembly
15	6-501-1401	Roller collar	37	6-351-7701	Anti-reverse claw screw
16	6-231-1501	Arm lever	38	6-143-9601	Anti-reverse claw spring
17	6-353-1811	Bail screw	39	6-111-3411	Anti-reverse claw
18	6-363-2201	Arm lever screw	40	6-351-1001	Body cover screw (3 pcs.)
19	6-363-2201	Bail holder screw	41	6-372-4601	Handle washer
20	6-634-1702	Bearing holder	42	6-362-1001	Handle screw
21	6-351-1001	Bearing holding screw (3 pcs.)	43	6-363-2301	Handle cover screw
22	6-634-1301	Ball bearing	44	6-745-8601	Handle assembly