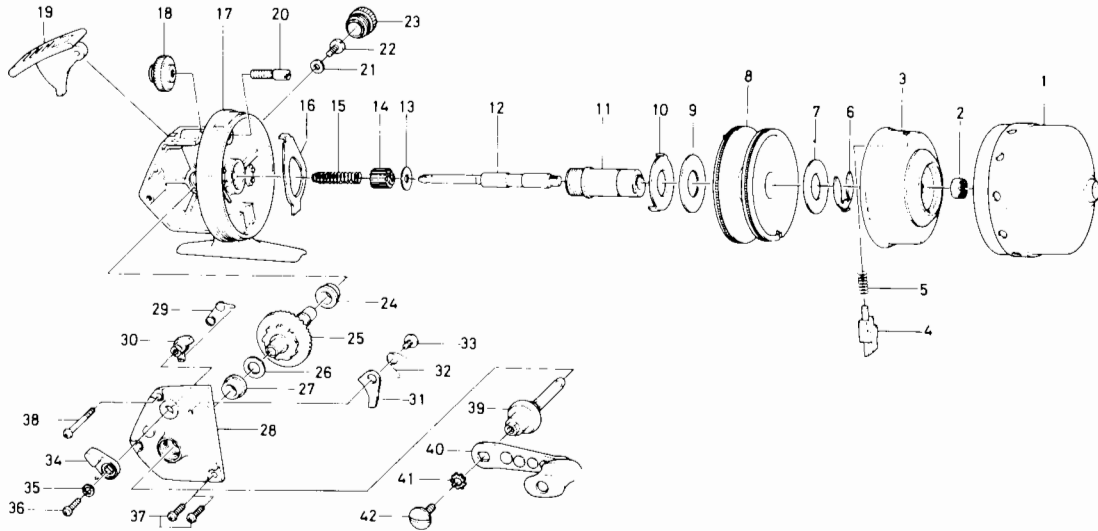


SPINCASTING REEL 215RL



Key No. 3 ~ 5

6-736-7001 Rotor assembly \$4.25

Key No. 12 ~ 15

6-711-2021 Main shaft assembly \$2.15

Key No.	Parts No.	Parts Name	Price Per Piece	Key No.	Parts No.	Parts Name	Price Per Piece
1	6-755-1601	Front cover	\$4.85	22	6-363-8501	Handle screw A	\$.15
2	6-342-3701	Rotor nut	.35	23	6-363-6001	Handle screw cap	.60
3	6-736-7101	Rotor	See Assy.	24	6-636-4101	Drive gear shaft holder	.40
4	6-180-3901	Pick up pin	.60	25	6-413-5501	Drive gear	1.00
5	6-142-4501	Pick up pin spring	.15	26	6-370-5150	Drive gear washer	.15
6	6-320-9101	Spool retainer	.40	27	6-636-4101	Drive gear shaft holder	.40
7	6-370-0412	Spool washer	.15	28	6-706-4301	Body cover	2.20
8	6-733-7201	Spool	4.35	29	6-144-5001	Anti-reverse cam spring	.15
9	6-376-0501	Drag washer A	.25	30	6-461-4501	Anti-reverse cam	.35
10	6-376-0401	Drag washer B	.15	31	6-111-7011	Anti-reverse claw	.15
11	6-381-7831	Shaft metal	1.35	32	6-144-5111	Anti-reverse claw spring	.15
12	6-393-4311	Main shaft	1.00	33	6-350-1931	Anti-reverse claw screw	.15
13	6-370-0226	Pinion washer	.15	34	6-541-4511	Anti-reverse lever	.45
14	6-402-6701	Pinion gear	.80	35	6-160-8701	Anti-reverse lever washer	.15
15	6-142-7711	Main shaft spring	.15	36	6-350-1931	Anti-reverse lever screw	.15
16	6-151-8501	Drag adjusting plate	.75	37	6-351-1101	Body cover screw (short)	.15
17	6-701-3801	Body	5.50	38	6-353-4911	Body cover screw (long)	.15
18	6-636-5601	Drag adjusting dial	.75	39	6-071-0504	Drive gear shaft	1.40
19	6-781-6505	Push button	.75	40	6-747-5901	Handle	2.75
20	6-363-5911	Drag adjusting screw	.20	41	6-160-8001	Handle washer B	.15
21	6-372-4601	Handle washer A	.15	42	6-363-5301	Handle screw B	.55