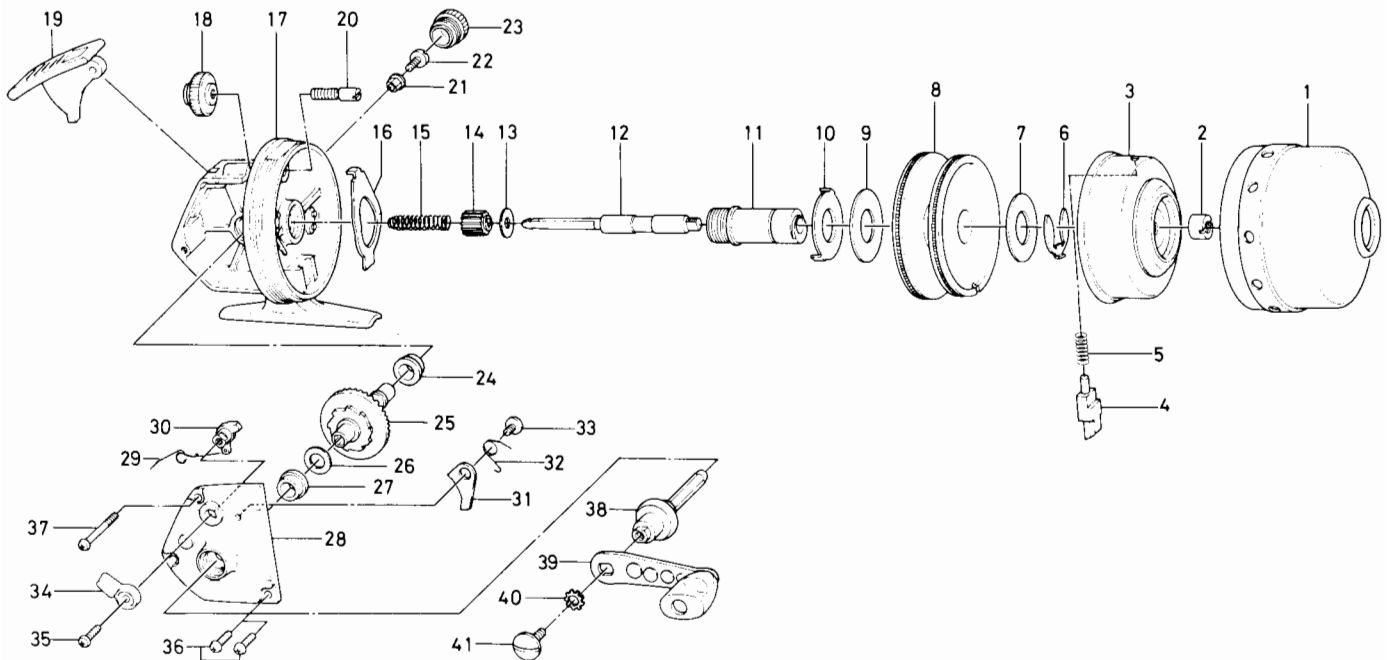


SPINCASTING REEL 217RL



KEY NO. 3 ~ 5

6-736-7001

ROTOR ASSEMBLY

KEY NO. 12 ~ 15

6-711-2021

MAIN SHAFT ASSEMBLY

Key No.	Parts No.	Parts Name
1	6-B09-2301	Front cover
2	6-342-4911	Rotor nut
*3	6-736-7101	Rotor
*4	6-180-3901	Pick up pin
*5	6-142-4501	Pick up pin spring
6	6-320-9101	Spool retainer
7	6-370-0412	Spool washer
8	6-733-7102	Spool
9	6-376-0501	Drag washer A
10	6-376-0401	Drag washer B
11	3-381-7831	Shaft metal
12	6-393-4311	Main shaft
13	6-370-0226	Pinion washer
14	6-402-6701	Pinion gear
15	6-142-7711	Main shaft spring
16	6-151-8501	Drag adjusting plate
17	6-701-3801	Body
18	6-B12-3001	Drag adjusting dial
19	6-781-6510	Push button
20	6-363-5911	Drag adjusting screw
21	6-501-8501	Handle screw holder

Key No.	Parts No.	Parts Name
22	6-363-8511	Handle screw A
23	6-B03-4802	Handle screw cap
24	6-637-4801	Drive gear shaft holder
25	6-413-5501	Drive gear
26	6-370-5100	Drive gear washer
27	6-637-4801	Drive gear shaft holder
28	6-063-0207	Body cover
29	6-B09-1401	Anti-reverse cam spring
30	6-461-4501	Anti-reverse cam
31	6-111-7011	Anti-reverse claw
32	6-144-5111	Anti-reverse claw spring
33	6-351-7701	Anti-reverse claw screw
34	6-541-3132	Anti-reverse lever
35	6-351-4701	Anti-reverse lever screw
36	6-351-1101	Body cover screw (short)
37	6-353-4911	Body cover screw (long)
38	6-070-6504	Drive gear shaft
39	6-B09-2502	Handle
40	6-160-8001	Handle washer
41	6-363-5301	Handle screw B

*Not sold separately. See Rotor Assembly.