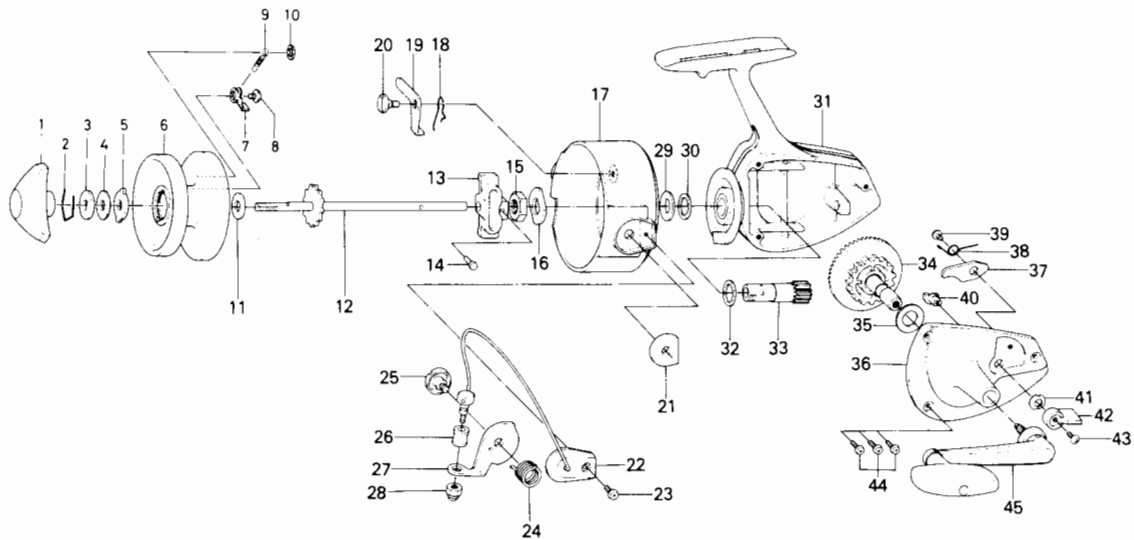


SPINNING REEL 406A



KEY NO. 2 ~ 10
6-000-4351

SPOOL ASSEMBLY

Key No.	Parts No.	Parts Name
1	6-005-1805	Drag knob
2	6-170-4001	Drag washer retainer
3	6-372-0801	Drag D washer
4	6-370-6901	Disc washer
5	6-375-5302	Drag A washer
*6	6-511-3961	Spool
7	6-040-0131	Spool click claw
8	6-360-1441	Spool click claw screw
9	6-140-2221	Spool click claw spring
10	6-320-9721	Spool click claw spring retainer
11	6-371-2731	Spool washer
12	6-710-8501	Main shaft
13	6-481-0701	Oscillating slider
14	6-121-7001	Oscillating slider pin
15	6-340-8301	Rotor nut
16	6-372-4901	Rotor retaining washer
17	6-201-7315	Rotor
18	6-140-6231	Bail kick lever spring
19	6-570-6821	Bail kick lever
20	6-363-1501	Bail kick lever screw
21	6-210-4301	Balancer
22	6-725-0221	Bail
23	6-351-6401	Bail holder screw

Key No.	Parts No.	Parts Name
24	6-141-2801	Bail spring
25	6-361-6413	Arm lever screw
26	6-250-2821	Line roller
27	6-230-8401	Arm lever
28	6-340-8501	Bail nut
29	6-370-7516	Rotor washer A
30	6-371-6400	Rotor washer B
31	6-700-5407	Body
32	6-371-6426	Pinion washer
33	6-403-2401	Pinion gear
34	6-414-1601	Drive gear
35	6-370-7500	Drive gear washer
36	6-062-7402	Body cover
37	6-111-3501	Anti-reverse claw
38	6-144-0001	Anti-reverse claw spring
39	6-351-6102	Anti-reverse claw screw
40	6-461-2201	Anti-reverse cam
41	6-150-1751	Anti-reverse lever washer
42	6-540-3711	Anti-reverse lever
43	6-350-1931	Anti-reverse lever screw
44	6-351-8501	Body cover screw
45	6-746-4001	Handle

*Not sold separately. See Spool Assembly.