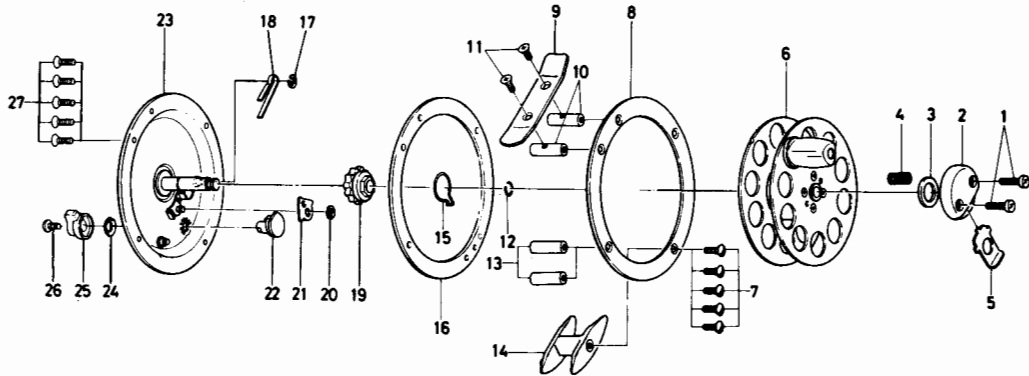




FLY REEL

731A



UPTO AND INCLUDING AFTMA 7 LINE

Key No.	Parts No.	Parts Name	Key No.	Parts No.	Parts Name
1	6-353-0001	Cover screw	15	6-144-2901	Friction spring
2	6-130-4701	Cover	16	6-171-3501	Body ring
3	6-375-3801	Cover washer	17	6-320-7601	Click spring retainer
4	6-144-1801	Spool stopper spring	18	6-151-5401	Click spring
5	6-541-3401	Spool stopper	19	6-750-3301	Click gear assembly
6	6-736-0501	Spool	20	6-320-5901	Click claw retainer
7	6-353-3501	Screw	21	6-030-5201	Click claw
8	6-560-5401	Ring	22	6-461-3201	Cam
9	6-610-3401	Stand	23	6-706-5901	Body assembly
10	6-050-6001	Stand pillar	24	6-151-5301	Click lever washer
11	6-353-3601	Stand screw	25	6-541-3501	Click lever
12	6-171-1301	Click gear retainer	26	6-352-2501	Click lever screw
13	6-050-6101	Pillar	27	6-353-3501	Screw
14	6-310-1101	Line guard			

Sold as one unit (6-736-1401)

Sold as one unit (6-781-4201)