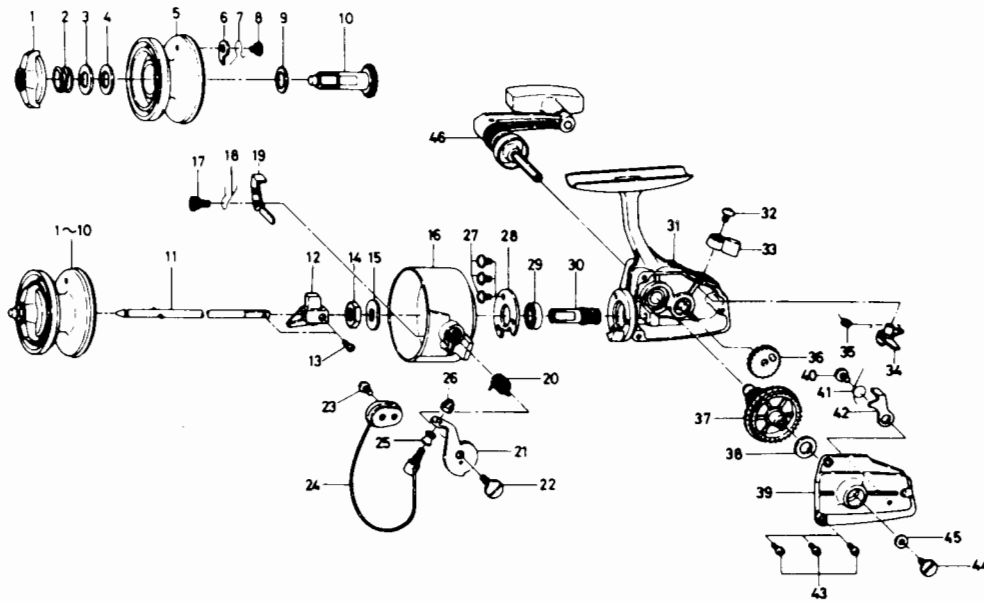


**SPINNING REEL 8150HRL**



Key No. 1 ~ 10  
6-731-4362

Spool assembly \$4.45

Key No.	Parts No.	Parts Name	Price Per Piece	Key No.	Parts No.	Parts Name	Price Per Piece
1	6-441-4201	Drag knob	\$ .60	24	6-725-3331	Bail	\$ 1.95
2	6-141-8721	Coil spring	.35	25	6-250-1901	Line roller	.35
3	6-373-6401	Disc washer	.15	26	6-341-2701	Bail nut	.35
4	6-373-6501	Washer	.15	27	6-350-1931	Ball bearing ret. washer screw	.15
5	6-513-4241	Spool	See Assy.	28	6-633-5511	Ball bearing ret. washer	.25
6	6-030-4101	Spool click claw	.15	29	6-634-1301	Ball bearing	3.80
7	6-143-7431	Spool click claw spring	.15	30	6-402-2201	Pinion gear	1.60
8	6-363-0711	Spool click claw spring screw	.15	31	6-700-6907	Body	4.95
9	6-371-4902	Spool washer	.15	32	6-350-1931	Anti-reverse lever screw	.15
10	6-720-0121	Spool metal	1.00	33	6-541-3131	Anti-reverse lever	.25
11	6-710-9721	Main shaft	1.00	34	6-460-6821	Anti-reverse cam	.20
12	6-481-0511	Oscillating slider	.25	35	6-142-2801	Anti-reverse cam spring	.15
13	6-351-0311	Oscillating slider screw	.15	36	6-413-2601	Oscillating gear	.25
14	6-341-9201	Rotor nut	.20	37	6-413-0201	Drive gear	1.15
15	6-375-3101	Rotor retaining washer	.15	38	6-370-5150	Drive gear washer	.15
16	6-201-1321	Rotor	1.75	39	6-062-8802	Body cover	2.20
17	6-361-8202	Bail kick lever screw	.25	40	6-351-7701	Anti-reverse claw screw	.15
18	6-143-4801	Bail kick lever spring	.15	41	6-143-9601	Anti-reverse claw spring	.15
19	6-570-7111	Bail kick lever	.45	42	6-111-3411	Anti-reverse claw	.25
20	6-141-0651	Bail spring	.15	43	6-351-1001	Body cover screw	.15
21	6-231-0431	Arm lever	.55	44	6-351-5531	Handle screw	.35
22	6-361-8532	Arm lever screw	.60	45	6-372-4601	Handle washer	.15
23	6-351-6401	Bail holder screw	.15	46	6-746-1331	Handle	3.65